

Item No	Type	Ref	Part No	SC Description	Qty	Unit
1			664754-9	CORD W/PLUG 3P-16-5.0M, SJ	1	PC.
2			682505-8	CORD GUARD 10-90	1	PC.
3			953106-2	RIVET 0-5	2	PC.
5			687001-1	STRAIN RELIEF	1	PC.
6			652014-1	PAN HEAD SCREW M4X8	1	PC.
7			911123-8	PAN HEAD SCREW M4X14	2	PC.
8			341570-3	GRIP HOLDER R	1	PC.
9			911226-8	PAN HEAD SCREW M5X18	3	PC.
10			911206-4	PAN HEAD SCREW M5X10	2	PC.
11	1		181298-9	* SWITCH CASE SET - N/L/A	1	PC.
	2		188494-0	* SWITCH CASE SET (WITH HOLE)	1	PC.
12			651024-5	SWITCH HPAH6-2S	1	PC.
14			157044-2	GEAR HOUSING	1	PC.
		INC.		Item No. 90		
15	2		153417-7	MOTOR HOUSING COM. (OLD# 156655-0 - N/L/A)	1	PC.
		INC.	643653-8	BRUSH HOLDER 6.5-13.5	2	PC.
		INC.	913206-0	SET SCREW M5X8	2	PC.
		INC.		Item No. 89		
	3		142199-6	MOTOR HOUSING COM. (OLD# 156655-0 - N/L/A)	1	PC.
		INC.	643653-8	BRUSH HOLDER 6.5-13.5	2	PC.
		INC.	913206-0	SET SCREW M5X8	2	PC.
		INC.		Item No. 89		
16			681002-1	INSULATION WASHER	2	PC.
17	1		181047-4	CARBON BRUSH CB-154 2PC/SET (W/O ORIGIN)	1	SET
	2		194986-9	CARBON BRUSH CB-154 2PC/SET (W/ ORIGIN)	1	SET
	Opt.1		181048-2	A.C. CARBON BRUSH CB-155 2PC/SET (W/O ORIGIN)	1	SET
	Opt.2		194987-7	A.C. CARBON BRUSH CB-155 2PC/SET (W/ ORIGIN)	1	SET
18			643650-4	BRUSH HOLDER CAP 6.5-13.5	2	PC.
19			911226-8	PAN HEAD SCREW M5X18	3	PC.
20			273416-4	GRIP 25	1	PC.
21			341571-1	GRIP HOLDER L	1	PC.
22			911206-4	PAN HEAD SCREW M5X10	2	PC.
23			231747-7	TENSION SPRING 20	1	PC.
24			265254-8	HEX. BOLT M8X44	1	PC.
25			931402-8	HEX. NUT M8	1	PC.
26			331162-6	LEVER C	1	PC.
27			231551-4	TORSION SPRING 12	1	PC.
28			256114-5	PIN 10	1	PC.
29			951116-3	SPRING PIN 4-20	1	PC.
30			341746-2	CHAIN COVER	1	PC.
31			265253-0	HEX. BOLT M10	1	PC.
32			942253-4	SPRING WASHER 10	1	PC.
33			941252-3	FLAT WASHER 10	1	PC.
34			251852-4	SCREW M8X28	1	PC.
35			951116-3	SPRING PIN 4-20	1	PC.
36			265254-8	HEX. BOLT M8X44	1	PC.
37			931402-8	HEX. NUT M8	1	PC.
38			232068-0	LEAF SPRING	1	PC.
39			911109-2	PAN HEAD SCREW M4X8	2	PC.
40			911908-2	PAN HEAD SCREW M5X80	4	PC.
41			921222-8	HEX. BOLT M5X16	3	PC.
42			931202-6	HEX. NUT M5	3	PC.

Item No	Type	Ref	Part No	SC Description	Qty	Unit
43			951172-3	SPRING PIN 5-32	1	PC.
44	1		311527-8	FRONT HOUSING	1	PC.
	2		310568-1	FRONT HOUSING	1	PC.
45			253042-5	FLAT WASHER 24	2	PC.
46			951213-5	SPRING PIN 6-24	1	PC.
47			951116-3	SPRING PIN 4-20	1	PC.
48			261022-7	RUBBER WASHER 24	2	PC.
49			951181-2	SPRING PIN 5-45	1	PC.
50	1		315344-8	CARRY HANDLE	1	PC.
	2		319052-3	CARRY HANDLE	1	PC.
51			325057-3	DEPTH GAUGE	1	PC.
52			951151-1	SPRING PIN 5-12	1	PC.
53			231543-3	TORSION SPRING 13	1	PC.
54			257005-3	RING 8	1	PC.
55			341585-0	HOOK	1	PC.
56			251215-4	+ PAN HEAD SCREW I6	1	PC.
57			252409-4	NUT M10-20	1	PC.
58			924316-8	WING BOLT M6X15	1	PC.
59			231005-1	COMPRESSION SPRING 7	1	PC.
60			931402-8	HEX. NUT M8	1	PC.
61			816045-6	INDICATION PLATE	1	PC.
62			911109-2	PAN HEAD SCREW M4X8	2	PC.
63			341588-4	INDICATOR PLATE	1	PC.
64			911109-2	PAN HEAD SCREW M4X8	1	PC.
65	1		154286-9	BASE COMPLETE	1	PC.
		INC.	951172-3	SPRING PIN 5-32	2	PC.
	2		142198-8	BASE COMPLETE	1	PC.
		INC.	951172-3	SPRING PIN 5-32	2	PC.
66			253042-5	FLAT WASHER 24	2	PC.
67			411723-9	BELLOWS	2	PC.
68			231289-1	COMPRESSION SPRING 25	2	PC.
69			341745-4	DISC	1	PC.
70			951213-5	SPRING PIN 6-24	2	PC.
71	1		311528-6	CHAIN BAR HOLDER	1	PC.
	2		310569-9	CHAIN BAR HOLDER	1	PC.
72			951178-1	SPRING PIN 5-40	1	PC.
74			325330-1	HEAD SHAFT	1	PC.
76			211076-4	BALL BEARING 1008LL	1	PC.
77			943152-3	TOOTHED LOCK WASHER 6	1	PC.
78			251258-6	+ COUNTERSUNK HEAD SCREW M6X12	1	PC.
79			211106-1	BALL BEARING 6201LLB	1	PC.
80			213102-5	DUST SEAL 12	1	PC.
81			241513-4	FAN 92	1	PC.
82			514611-0	ARMATURE ASS'Y 115V	1	PC.
		INC.		Item No. 79,80,81,83,84		
83			213051-6	DUST SEAL 10	1	PC.
84			211066-7	BALL BEARING 6200LLB	1	PC.
86			524566-1	FIELD ASS'Y 115V	1	PC.
		INC.	654020-2	RING TERMINAL	2	PC.
		INC.	654502-4	CONNECTOR P-2	2	PC.
87			254001-2	WOODRUFF KEY 4	1	PC.
88			911300-2	PAN HEAD SCREW M5X75	2	PC.

Item No	Type	Ref	Part No	SC Description	Qty	Unit
89			263002-9	RUBBER PIN 4	1	PC.
90			263005-3	RUBBER PIN 6	1	PC.
91			931502-4	HEX. NUT M10	1	PC.
92			942253-4	SPRING WASHER 10	1	PC.
93			941252-3	FLAT WASHER 10	1	PC.
94			257017-6	RING 15	1	PC.
95			221501-7	SPROCKET 4	1	PC.
96			211311-0	BALL BEARING 6304LLB	1	PC.
97			321373-1	SPINDLE	1	PC.
98			221671-2	HELICAL GEAR 47	1	PC.
99			253197-6	FLAT WASHER 10	1	PC.
100			212066-0	NEEDLE BEARING 1015	1	PC.
101			133014-5	LEVER 98 ASS'Y (OLD# 272202-0)	1	PC.
		INC.		Item No. 126		
102			265235-2	HEX. BOLT M12X34	1	PC.
103	1		315342-2	VICE ELEMENT	1	PC.
	2		319050-7	VICE ELEMENT	1	PC.
104			321380-4	SCREW M14	1	PC.
105			951116-3	SPRING PIN 4-20	1	PC.
106			253180-3	FLAT WASHER 10	1	PC.
107			231287-5	COMPRESSION SPRING 10	1	PC.
108			951172-3	SPRING PIN 5-32	2	PC.
109			154282-7	LEVER B COMPLETE	1	PC.
		INC.	253808-3	FLAT WASHER 9	1	PC.
		INC.	257075-2	RING 9	1	PC.
110			921421-2	HEX. BOLT M8X16	2	PC.
111			341587-6	STOPPER	1	PC.
112			941201-0	FLAT WASHER 8	2	PC.
113			271610-2	KNOB 40	2	PC.
114			341569-8	CLAMP LEVER	1	PC.
115			256106-4	PIN 9	1	PC.
116			951116-3	SPRING PIN 4-20	2	PC.
117			257075-2	RING 9	1	PC.
118			253808-3	FLAT WASHER 9	1	PC.
119			256623-4	PIN 9	1	PC.
120			253808-3	FLAT WASHER 9	1	PC.
121			257561-3	SLEEVE 9	1	PC.
122			231746-9	TENSION SPRING 9	1	PC.
123			951110-5	SPRING PIN 4-16	1	PC.
124			321381-2	SLIDE BAR	1	PC.
125			951163-4	SPRING PIN 5-20	1	PC.
126			911207-2	PAN HEAD SCREW M5X10	1	PC.
127			321382-0	GUIDE POLE	1	PC.
128			231286-7	COMPRESSION SPRING 36	1	PC.
129			231285-9	COMPRESSION SPRING 48	1	PC.
130	1		315216-7	WISE SHOE	1	PC.
	2		319049-2	WISE SHOE	1	PC.
131			321232-9	WISE SHAFT	1	PC.
132			253011-6	FLAT WASHER 6	1	PC.
133			911356-5	PAN HEAD SCREW M6X35	1	PC.
134			951166-8	SPRING PIN 5-24	1	PC.
135			253808-3	FLAT WASHER 9	1	PC.

Item No	Type	Ref	Part No	SC Description	Qty	Unit
136	1		315340-6	FRONT VICE	1	PC.
	2		319053-1	FRONT VICE	1	PC.
137			257562-1	SLEEVE 9	1	PC.
138			951116-3	SPRING PIN 4-20	1	PC.
139			253180-3	FLAT WASHER 10	1	PC.
140			961012-7	STOP RING E-6	1	PC.
141			133201-6	HANDLE ASS'Y	1	PC.
		INC.		Item No. 140,142,143		
142			271607-1	KNOB 20	1	PC.
143			256614-5	PIN 8	1	PC.
200			652014-4	P.H. SCREW M4X8	4	PC.
201			654002-4	EYE TERMINAL 1.25-M4	4	PC.

### **ACCESSORIES**

- See catalogue or visit [www.makita.ca](http://www.makita.ca) for other optional accessories -

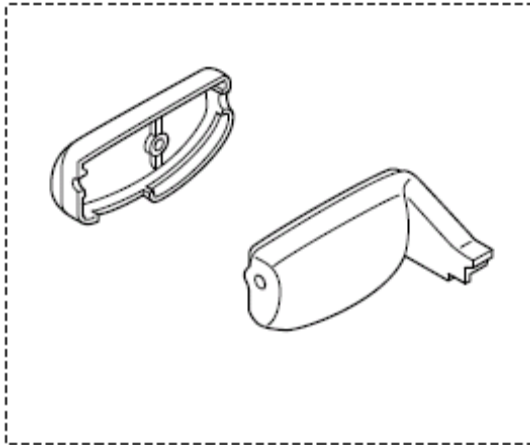
A01			A-16570	5/8" CUTTER CHAIN	1	PC.
	Opt.		A-16564	9/16" CUTTER CHAIN	1	PC.
	Opt.		A-16586	11/16" CUTTER CHAIN	1	PC.
	Opt.		A-16592	51/64" CUTTER CHAIN	1	PC.
	Opt.		A-16601	15/16" CUTTER CHAIN	1	PC.
	Opt.		A-16617	CUTTER CHAIN 30.0MM	1	PC.
A02			781204-0	WRENCH 13-17	1	PC.
A03			182229-1	OIL SUPPLY 100CC	1	PC.
		INC.	242019-9	OIL SUPPLY NOZZLE - N/A individually	1	PC.
A04	Opt.		221502-5	SPROCKET 4 (FOR 30.0MM)	1	PC.
A05	Opt.		123028-2	SHARPENING HOLDER ASS'Y (Optional)	1	PC.
		INC.	934401-9	WING NUT M8	1	PC.
		INC.	941201-0	FLAT WASHER 8	1	PC.
		INC.	921445-8	HEX. BOLT M8X25	1	PC.
A06			133571-3	CHAIN BAR ASS'Y F/15-24MM	1	PC.
		INC.		Item No. 74,76-78		
A06	Opt.		122235-4	CHAIN BAR F/30.0MM (Optional)	1	PC.

**SERVICE CHANGES**

**1. Changes on Switch Case Set**

Item No.	Description	Type 1	Type 2
11	Switch Case Set	181298-9	188494-0

Type1



Type2

